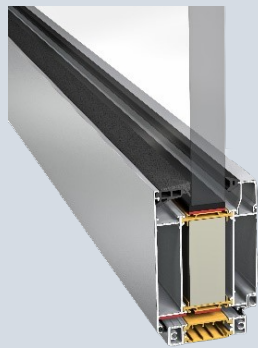




Hansen



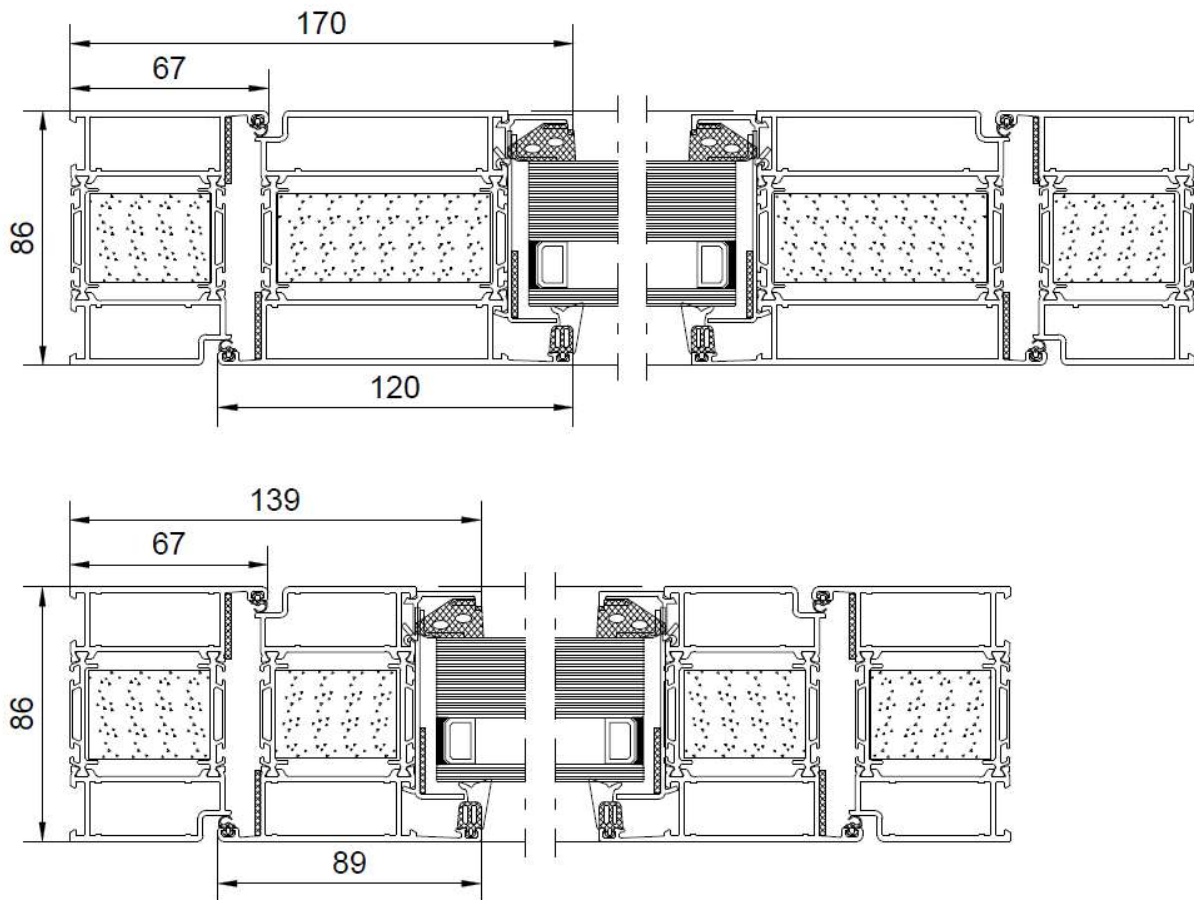
## Door system SAPA 2086 EI

Inward or outward fire resistant door with 30 or 60 minutes fire protection and smoke control. The door can be made as single leaf door, double leaf door or door partition with top and side lights. The aluminium extrusions have a depth of 86 mm and are insulated with 42 mm glass fiber reinforced polyamide strips.

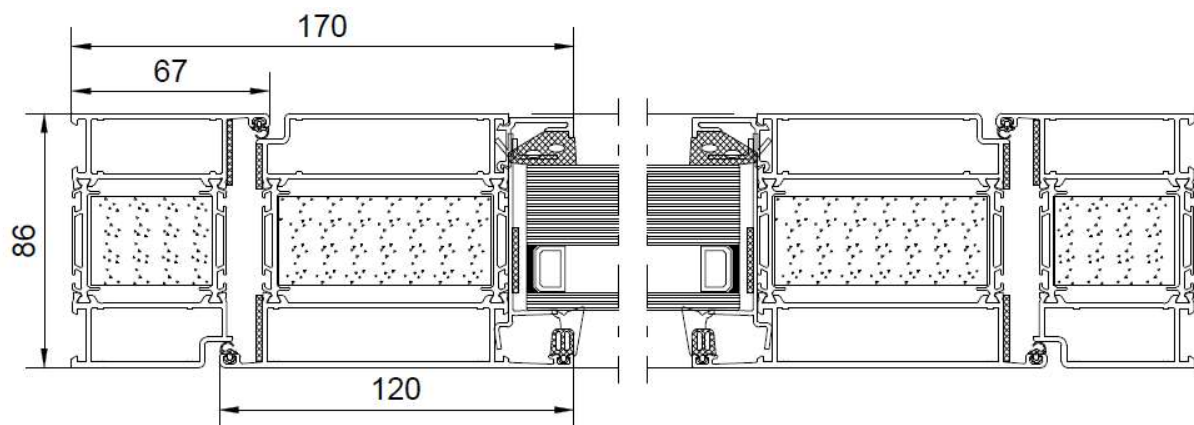
<b>Technical specification</b>		
	<b>2086 EI30</b>	<b>2086 EI60</b>
<b>Max. door leaf height double door and single door</b>	2928 mm	2930 mm
<b>Max. door leaf width primary door and single door</b>	1620 mm*	1620mm*
<b>Max. door leaf width secondary door</b>	1352 mm	1280mm
<b>Min. door leaf width</b>	298 mm	460mm
<b>Glazing range</b>	14-49 (52) mm	23-49 (52) mm
<b>Max. door leaf area primary door and single door</b>	3,95 m <sup>2</sup>	3,95 m <sup>2</sup>
<b>Max. door leaf area secondary door</b>	3,30 m <sup>2</sup>	3,15 m <sup>2</sup>
<b>Max. door leaf area totally double door</b>	7,20 m <sup>2</sup>	7,14 m <sup>2</sup>
<b>Max. door leaf weight</b>	200 kg	235 kg
<b>Air permeability:</b>	Class 4	
<b>Water tightness:</b>	Class 9A	
<b>Wind load classification:</b>	Class C3	

\* - door leaf width exceeding **1350mm** is not recommended

## 2086 EI 30



## 2086 EI 60



Only door leaf sections 86426 and 86425 are allowed.

## List of fireproof panes – 2086 EI30

<b>Product group Vetrotech Contraflam EI 30</b>				
<b>Glass</b>	<b>Thickness [mm]</b>	<b>Screens wxh [mm]</b>	<b>Top light wxh [mm]</b>	<b>Door leaf/Side light wxh [mm]</b>
Contraflam 30 (only interior SGU)	min. 16	1572x3400	-	-
Contraflam 30	min. 16	1500x3000	3463x547 alt. 2886x656	1442x2110 alt. 1202x2532
Contraflam 30	min. 30	1900x3436 alt. 1595x4093	3463x547 alt. 2886x656	1442x2110 alt. 1202x2532
Contraflam Structure 30	min. 23	1500x3000	-	-
Contraflam Structure 30	min. 28	1800x3500	-	-
Contraflam Structure 30 corners	min. 23	1320x3000	-	-
Contraflam Structure 30 corners	min. 28	1200x3300	-	-
<b>Product group Pilkington Pyrostop EI 30</b>				
Pyrostop 30 (only interior SGU)	min. 15	1400x2886	-	-
Pyrostop 30	min. 15	1368x2138 alt. 1270x2340	2466x312 alt. 1350x629	1442x2272 alt. 1202x2726
Pyrostop 30	min. 18	1308x2892	2466x312 alt. 1350x629	1442x2272 alt. 1202x2726
Pyrostop 30 Line	min. 18	1400x3000	-	-
<b>Product group AGC Pyrobel 17N</b>				
Pyrobel 17N	min. 17,8	1680x2906 alt. 1400x3487	2782x620 alt. 2319x744	1442x2103 alt. 1202x2523

## List of fireproof panes – 2086 EI60

<b>Product group Vetrotech Contraflam EI 60</b>				
<b>Glass</b>	<b>Thickness [mm]</b>	<b>Screen/Side light wxh [mm]</b>	<b>Top light wxh [mm]</b>	<b>Door leaf wxh [mm]</b>
Contraflam 60-3	27-48	1396x2883	3453x700 alt. 2878x840	1370x2236 alt. 1142x2683
<b>Product group Pilkington Pyrostop EI 60</b>				
Pyrostop 60-101	min. 23	1394x2883	-	1442x2236
<b>Product group AGC Pyrobel 25 EI 60</b>				
Pyrobel 25	min. 27	1394x2883	2398x836	1142x2236